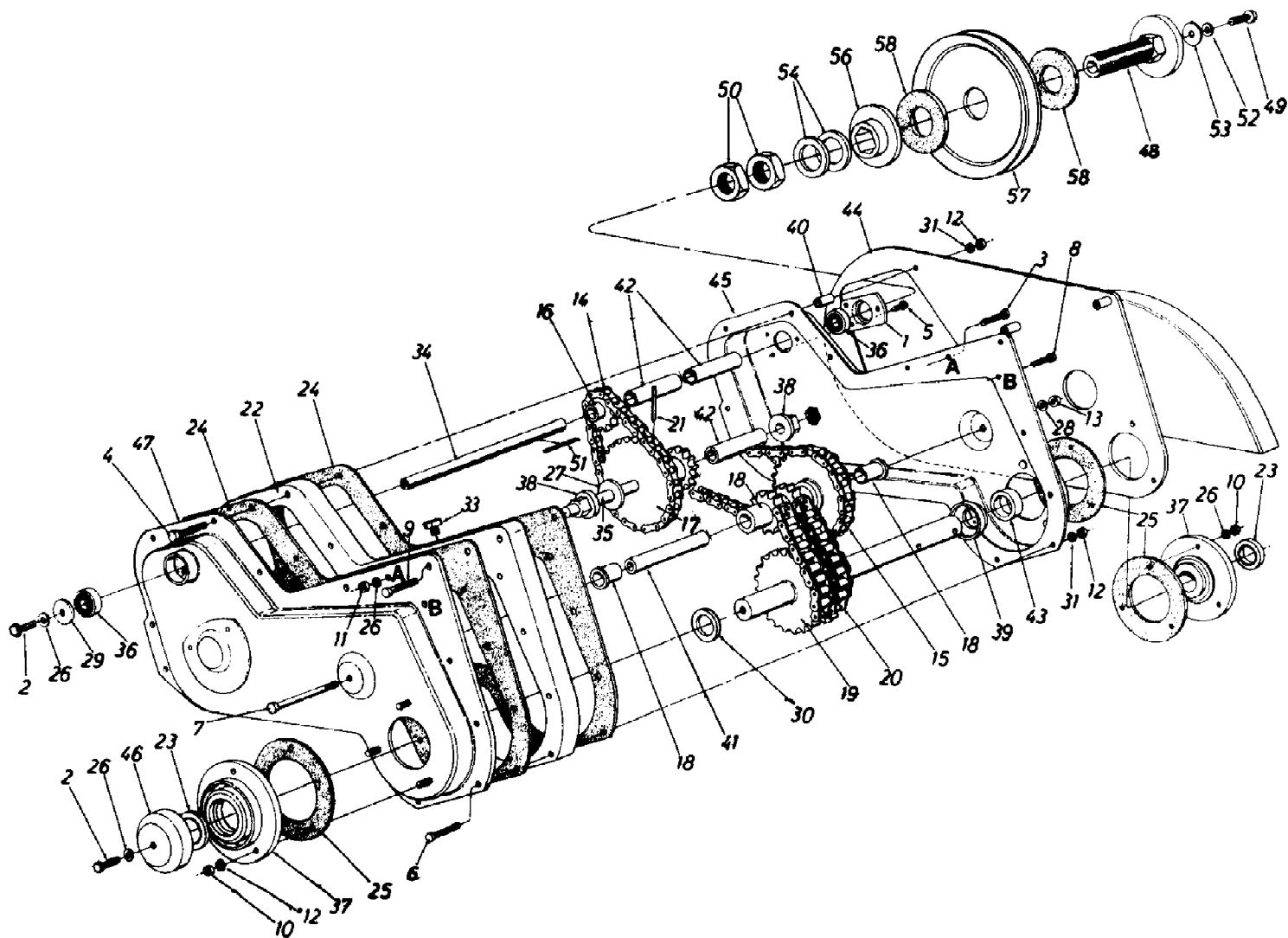


| Ref # | Part Number | Qty | S/P/F | Description                            |
|-------|-------------|-----|-------|--|
| 1     | 710-0696    | 1   | /P/F  | Hex Bolt 3/8-24 x .88" Lg.             |
| 2     | 736-0217    | 1   | S     | L-Wash. 3/8" I.D. - H.D.               |
| 3     | 712-0241    | 1   | /P/F  | Hex Nut 3/8-24 Thd.                    |
| 4     | 710-0106    | 1   | /P/F  | Hex Bolt 1/4-20 x 1.25" Lg.            |
| 6     | 736-0270    | 1   | /P/F  | Bell-Wash. 1/4" I.D.                   |
| 8     | 732-0185    | 1   | S     | Ext. Spring 7.75" Lg.                  |
| 9     | 711-0770    | 1   | S     | Adjustment Ferrule 1/2-13 Thd.         |
| 10    | 736-0187    | 1   | /P    | FI-Wash. .64" I.D. x 1.24" O.D. x .06" |
| 11    | 714-0145    | 1   | S     | Intern. Cotter Pin 1/2" Dia.           |
| 12    | 736-0272    | 1   | S     | FI-Wash. .51" I.D. x 1.0" O.D. x .06"  |
| 13    | 689-0000    | 1   | S     | Lift Bracket Ass'y.                    |
| ?14   | 732-0460    | 1   |       | Comp. Spring 1.5" O.D. x 15" Lg.       |
| ?15   | 736-0208    | 1   | S     | FI-Wash. .51" I.D. x 1.5" O.D. x .075" |
| 16    | 784-0279    | 1   |       | Pivot Bracket Assembly                 |
| 17    | 784-0056    | 1   | S     | Tiller Housing Plate - R.H.            |
| 18    | 736-0119    | 1   | S/F   | L-Wash. 5/16" I.D.                     |
| 19    | 712-0123    | 1   | /P/F  | Hex Nut 5/16-24 Thd.                   |
| 20    | 784-0058    | 1   | S     | End Cover Tine Shield - R.H.           |
| 21    | 784-0069    | 1   | S     | Tine Shield Hinge Flap Support         |
| 22    | 710-0157    | 1   | /P/F  | Hex Bolt 5/16-24 x .75" Lg.            |
| 23    | 710-0237    | 1   | /P/F  | Hex Bolt 5/16-24 x .62" Lg.            |
| 24    | 12541       | 1   |       | Chute Pivot Bracket                    |
| 25    | 712-0158    | 1   | S     | Hex L-Nut 5/16-18 Thd.                 |
| 26    |             | 1   |       | UNKNOWN                                |
| 27    | 710-0376    | 1   | /P    | Hex Bolt 5/16-18 x 1" Lg. (Grade 5)    |
| 28    | 784-0068    | 1   | S     | Grease Housing Cup                     |
| 29    | 714-0470    | 1   | S/F   | Cotter Pin 1/8" Dia. x 1.25" Lg.       |
| 30    | 721-0133    | 1   |       | Gasket for Brg. Housing                |
| 31    | 736-0246    | 1   | /P    | FI-Wash. 1.25" I.D. x 2.0" O.D. x .06" |
| 32    | 738-0630    | 1   |       | Tine Shaft 1.25" Dia. x 6.25" Lg.      |
| 33    | 741-0417    | 1   |       | Bearing Housing w/Bearing              |
| 34    |             | 1   |       | UNKNOWN                                |
| 35    |             | 1   |       | UNKNOWN                                |
| 36    | 784-0107    | 1   |       | Tine Adapter Ass'y.                    |
| 37    | 710-0459    | 1   | S/F   | Hex Bolt 3/8-24 x 1.5" Lg.             |
| 38    | 742-0243    | 1   | S     | Tine 14" x 5/16"                       |
| 39    | 710-0331    | 1   | /P/F  | Hex Bolt 3/8-24 x 2.25" Lg.            |
| 40    | 742-0244    | 1   | S     | Tine 14" x 5/16"                       |
| 41    |             | 1   |       | UNKNOWN                                |
| 42    |             | 1   |       | UNKNOWN                                |
| 43    | 884-0061-5  | 1   |       | Chain Case Ass'y. Comp.                |
| 44    | 710-0604    | 1   | S     | Hex TT-Tap Scr. 5/16-18 x .62" Lg.     |
| 45    | 710-0564    | 1   | /P/F  | Hex Bolt 1/4-20 x 2.75" Lg.            |
| 46    | 784-0076    | 1   |       | Hinge Flap Ass'y.                      |
| 47    | 747-0479    | 1   |       | Tiller Flap Rod 29.7" Lg.              |
| 48    | 714-0115    | 1   | S/F   | Cotter Pin 1/8" Dia. x 1" Lg.          |
| 49    | 784-0074    | 1   |       | Tine Shield Ass'y. 30" Lg.             |
| 50    | 784-0060    | 1   |       | Reinforcement Brkt. - Tine Shield      |
| 51    | 784-0055    | 1   | S     | Tiller Housing Plate Ass'y.            |
| 52    | 721-0192    | 1   |       | Oil Seal 1-1/4" Shaft                  |
| 53    | 712-0287    | 1   | S/F   | Hex Nut 1/4-20 Thd.                    |
| 54    | 736-0329    | 1   | S/F   | L-Wash. 1/4" I.D.                      |
| 55    | 750-0599    | 1   |       | Hex Bolt 5/16-18 x .62" O.D. x .9" Lg. |

190-756-190 28" Tiller Attachment (1995)  
Chain Case Assembly I

Page 3 of 8

| Ref # | Part Number | Qty | S/P/F | Description                        |
|-------|-------------|-----|-------|------------------------------------|
| 56    | 710-3177    | 1   | /P/F  | Hex Bolt 1/2-20 x 1.5" Lg.         |
| 58    | 736-0921    | 1   | S/F   | L-Wash. 1/2" I.D.                  |
| 59    | 712-0922    | 1   | /P/F  | Hex Nut 1/2-20 Thd.                |
| 61    | 784-0073    | 1   |       | Idler Brkt. Support Arm Ass'y.     |
| 62    | 784-0064B   | 1   | S     | Pivot Brkt. Support                |
| 63    | 738-0816    | 1   | S     | Shoulder Bolt                      |
| 64    | 784-0066    | 1   |       | Support Plate                      |
| 65    | 732-0323    | 1   |       | Helper Spring                      |
| 66    | 711-0509    | 1   |       | Spring Insert                      |
| 67    | 736-0275    | 1   | S     | FI-Wash. .34" I.D. x .68" O.D.     |
| 68    | 710-1207    | 1   | /P    | Hex Bolt 5/16-18 x 3.25" Lg.       |
| 69    | 736-0208    | 1   | S     | FI-Wash. .51" I.D. x 1.5" O.D.     |
| 70    | 750-0881    | 1   |       | Split Spacer .505" I.D. x .57" Lg. |
| 71    | 736-0100    | 1   | /P    | FI-Wash. .531" I.D. x 1.25" O.D.   |
| 72    | 714-0145    | 1   | S     | Internal Cotter Pin 1/2" Dia.      |



| Ref # | Part Number | Qty | S/P/F | Description                                 |
|-------|-------------|-----|-------|---|
| 1     | 05034       | 1   | S     | Bearing Housing 1-3/8" Dia.                 |
| 2     | 710-0371    | 1   | /P    | Hex Bolt 5/16-18 x .88" (Spec.)             |
| 3     | 710-0442    | 1   | S/F   | Hex Bolt 5/16-18 x 1.5" Lg.                 |
| 4     | 710-0564    | 1   | /P/F  | Hex Bolt 1/4-20 x 2.75" Lg.                 |
| 5     | 710-0599    | 1   | /P    | Hex S-Tap Scr. 1/4-20 x .5" Lg.             |
| 6     | 710-0606    | 1   | /P/F  | Hex Bolt 1/4-20 x 1.5" Lg.                  |
| 7     | 710-0693    | 1   | /P    | Hex Bolt 3/8-16 x 4.5" Lg.                  |
| 8     | 710-0778    | 1   | /P    | Hex Scr. 1/4-20 x 1.5" Lg.                  |
| 9     | 710-0909    | 1   | S     | Hex TT-Tap Scr. 5/16-18 x 1.75"             |
| 10    | 712-0158    | 1   | S     | Hex L-Nut 5/16-18 Thd.                      |
| 11    | 712-0267    | 1   | S/F   | Hex Nut 5/16-18 Thd.                        |
| 12    | 712-0287    | 1   | S/F   | Hex Nut 1/4-20 Thd.                         |
| 13    | 712-0798    | 1   | /P/F  | Hex Nut 3/8-16 Thd.                         |
| 14    | 713-0131    | 1   |       | #41 Chain 1/2" Pitch x 34 Links - Endless   |
| 15    | 713-0186    | 1   | S     | #42 Chain 1/2" Pitch x 48 Links - Endless   |
| 16    | 713-0206    | 1   |       | Sprocket 10 Tooth .5" Pitch                 |
| 17    | 713-0341    | 1   |       | 10 & 28 Teeth Sprocket Ass'y.               |
| 18    | 713-0342    | 1   |       | 8-2 & 28 Sprocket Sleeve Ass'y.             |
| 19    | 713-0362    | 1   |       | 18-2 Sprocket Shaft Ass'y.                  |
| 20    | 713-0344    | 1   | S     | #50-2 Chain 5/8" Pitch x 28 Links - Endless |
| 21    | 715-0114    | 1   | S     | Spring Pin Spir. 1/4" Dia. x 1.5" Lg.       |
| 22    | 717-0811    | 1   |       | Spacer Block - Tiller Housing               |
| 23    | 721-0192    | 1   |       | Oil Seal 1-1/4" Dia.                        |
| 24    | 721-0132    | 1   | S     | Gasket for Tiller Housing                   |
| 25    | 721-0133    | 1   |       | Gasket for Brg. Housing                     |
| 26    | 736-0119    | 1   | S/F   | L-Wash. 5/16" I.D.                          |
| 27    | 736-0187    | 1   | /P    | FI-Wash. .64" I.D. x 1.24" O.D.             |
| 28    | 736-0217    | 1   | S     | L-Wash. 3/8" I.D. - H.D.                    |
| 29    | 736-0231    | 1   | S     | FI-Wash. .344" I.D. x 1.125"                |
| 30    | 736-0368    | 1   |       | Special Washer                              |
| 31    | 736-0329    | 1   | S/F   | L-Wash. 1/4" I.D.                           |
| 33    | 737-0175    | 1   |       | Vent Plug                                   |
| 34    | 738-0181    | 1   |       | Jack Shaft .525" I.D. x 7.78"               |
| 35    | 738-0594    | 1   |       | Sprocket Shaft .63" Dia. x 5"               |
| 36    | 741-0155    | 1   | S     | Ball Brg. .62" I.D. x 1.38" O.D.            |
| 37    | 741-0417    | 1   |       | Bearing Housing - 1-1/4"                    |
| 38    | 748-0229    | 1   | S     | Hex Flange Brg.                             |
| 39    | 750-0563    | 1   |       | Spacer 1.25" I.D. x 2.0" O.D.               |
| 40    | 750-0599    | 1   | S     | Spacer .9" Lg.                              |
| 41    | 750-0600    | 1   |       | Spacer 3.44" Lg.                            |
| 42    | 750-0601    | 1   | S     | Spacer .62" I.D. x .88" O.D. x 1.56" Lg.    |
| 43    | 750-0636    | 1   |       | Spacer .5" Lg.                              |
| 44    | 784-0055    | 1   | S     | Tiller Housing Plate Ass'y. - L.H.          |
| 45    | 784-0061    | 1   | S     | Tiller Housing Ass'y.                       |
| 46    | 784-0067    | 1   |       | Dust Cap                                    |
| 47    | 784-0077    | 1   |       | Tiller Housing Ass'y. - R.H.                |
| 48    | 15727       | 1   |       | Friction Disc Ass'y.                        |
| 49    | 710-0573    | 1   |       | Hex Bolt 5/16-18 x 1.25" Lg. Grade 5        |
| 50    | 712-0331    | 1   |       | Hex Jam Nut 1.0-14 x 28 Thd.                |
| 51    | 714-0133    | 1   | S     | Sq. Key 3/16 x 1.5" Lg.                     |
| 52    | 736-0119    | 1   | S/F   | L-Wash. 5/16" I.D.                          |
| 53    | 736-0231    | 1   | S     | FI-Wash. .344" I.D. x 1.125"                |
| 54    | 736-0352    | 1   |       | L-Wash. 5/16" I.D. x 2.0"                   |

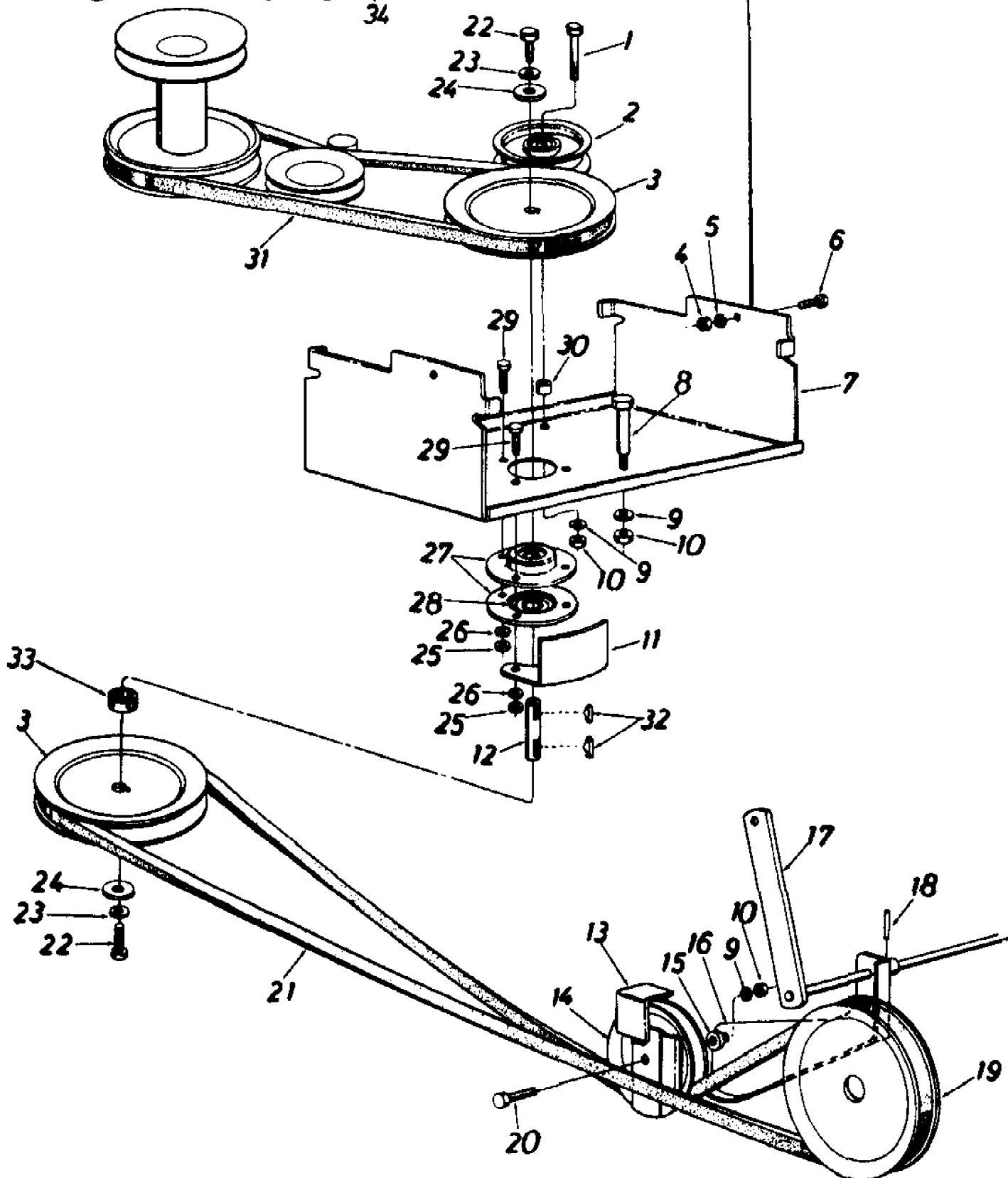
190-756-190 28" Tiller Attachment (1995)  
Chain Case Assembly II

Page 6 of 8

| Ref # | Part Number | Qty | S/P/F | Description                            |
|-------|-------------|-----|-------|--|
| 56    | 748-0296    | 1   |       | Floating Disc 3-1/4" O.D.              |
| 57    | 756-0439    | 1   |       | 5/8 V-Pulley 1.5" I.D. x 6.5"          |
| 58    | 761-0189    | 1   |       | Friction Pad 3-1/4" O.D. x 1-3/8" I.D. |
|       | 737-0133    | 1   | S     | Grease - Plastilube #0                 |

### Lawn Tractor Frame

### Engine Pulley



190-756-190 28" Tiller Attachment (1995)  
Pulley And Belts

Page 8 of 8

| Ref # | Part Number | Qty | S/P/F | Description                            |
|-------|-------------|-----|-------|--|
| 1     | 710-0427    | 1   | S/F   | Hex Bolt 3/8-16 x 2" Lg.               |
| 2     | 756-0405    | 1   | /P    | FI-Idler w/Flanges 3-3/4" O.D.         |
| 3     | 756-0438    | 1   | S     | 5/8" "V"-Pulley .79" I.D. x .65" O.D.  |
| 4     | 712-0241    | 1   | /P/F  | Hex Nut 3/8-24 Thd.                    |
| 5     | 736-0217    | 1   | S     | L-Wash. 3/8" I.D.                      |
| 6     | 710-0696    | 1   | /P/F  | Hex Bolt 3/8-24 x .88" Lg.             |
| 7     | 784-0054A   | 1   | S     | Carriage Bracket                       |
| 8     | 738-0533    | 1   | S     | Shoulder Bolt .498" Dia.               |
| 9     | 736-0169    | 1   | S/F   | L-Wash. 3/8" I.D.                      |
| 10    | 712-0798    | 1   | /P/F  | Hex Nut 3/8-16 Thd.                    |
| 11    | 05406       | 1   | S     | Belt Guard                             |
| 12    | 738-0789    | 1   |       | Shaft .787" Dia. x 3.21" Lg.           |
| 13    | 784-0070    | 1   |       | Belt Separator Plate                   |
| 14    | 756-0433    | 1   |       | FI-Idler w/Flanges 3.25"               |
| 15    | 736-0235    | 1   |       | FI-Wash. .406" I.D. x 1.25"            |
| 16    | 784-0071    | 1   |       | Idler Brkt. Ass'y.                     |
| 17    | 784-0073    | 1   |       | Idler Brkt. Support Ass'y.             |
| 18    | 715-0105    | 1   |       | Spring Pin Roll 3/16" Dia.             |
| 19    | 756-0439    | 1   |       | 5/8" "V"-Pulley 1.50" I.D. x 6.5" O.D. |
| 20    | 710-0347    | 1   | /P/F  | Hex Bolt 3/8-16 x 1.75" Lg.            |
| 21    | 754-0283A   | 1   |       | "V"-Belt                               |
| 22    | 710-0371    | 1   | /P    | Hex Bolt 5/16-18 x .88" Lg. Spec.      |
| 23    | 736-0119    | 1   | S/F   | L-Wash. 5/16" I.D.                     |
| 24    | 736-0231    | 1   | S     | FI-Wash. .344" I.D. x 1.125"           |
| 25    | 712-0267    | 1   | S/F   | Hex Nut 5/16-18 Thd.                   |
| 26    | 736-0119    | 1   | S/F   | L-Wash. 5/16" I.D.                     |
| 27    | 08253B      | 1   | /P    | Bearing Housing 1.85" I.D.             |
| 28    | 741-0919    | 1   | S     | Ball Bearing 1.85" O.D.                |
| 29    | 710-0198    | 1   | S     | Hex Sems Bolt 5/16-18 x .75"           |
| 30    | 750-0497    | 1   |       | Spacer                                 |
| 31    | 754-0229    | 1   | S     | Belt                                   |
| 32    | 714-0161    | 1   | S     | Hi-Pro Key 3/16" x 5/8"                |
| 33    | 750-0763    | 1   |       | Spacer .66" I.D. x 1" O.D.             |
| 34    | 732-0611    | 1   | S     | Extension Spring                       |